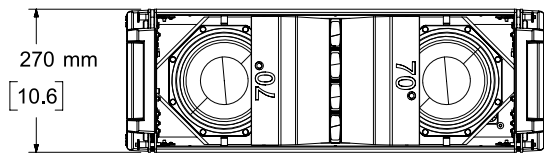
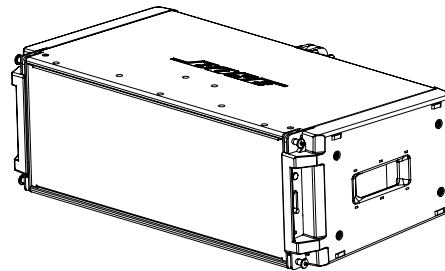
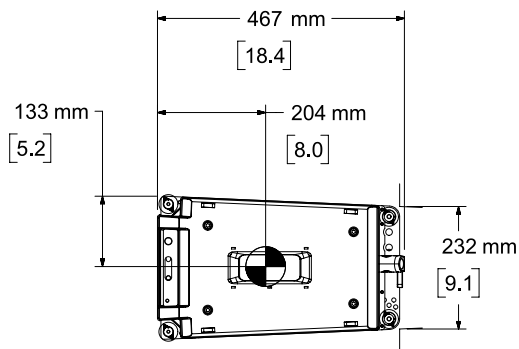


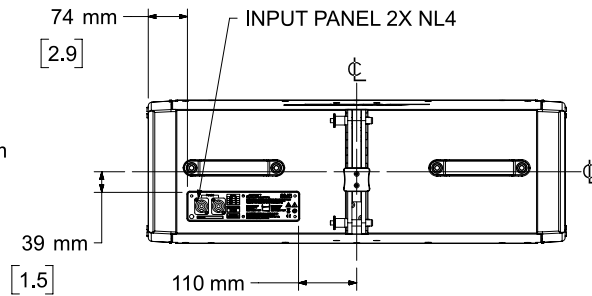
Top View



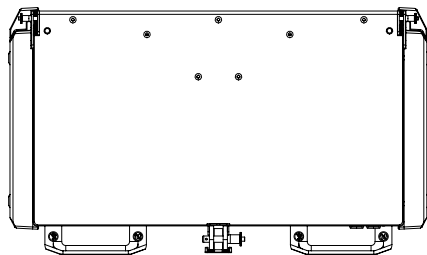
Front View
GRILLE REMOVED FOR CLARITY



Right View
DIMENSIONS APPLY TO BOTH SIDES



Rear View



Bottom View

NOTES:

1. SYMBOL INDICATES CENTER OF GRAVITY
2. WEIGHT APPROX. 29.7 kg [65.5lbs]
3. SYMBOL INDICATES QUICK PIN CONNECTION LOCATIONS
4. DIMENSIONS ARE IN MILLIMETERS OVER INCHES

	THIRD ANGLE PROJECTION	DESCRIPTION	
		SHOWMATCH SM5	
UNLESS OTHERWISE SPECIFIED INTERPRET THIS DRAWING PER ASME Y14.5M-1997 PROFESSIONAL	CAGE CODE	DOCUMENT NUMBER	VERSION
		RF730999-MKTCADS-05	01.4
DO NOT SCALE DRAWING		NOTICE 2023 BOSE PROFESSIONAL THIS DRAWING MAY NOT BE COPIED, REPRODUCED, OR USED AS THE BASIS FOR MANUFACTURE OR SALE OF APPARATUS WITHOUT THE PRIOR WRITTEN AUTHORIZATION OF BOSE PROFESSIONAL.	