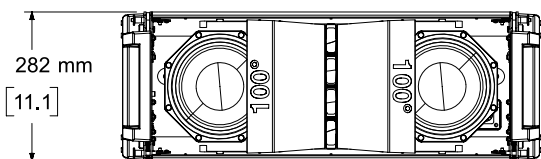
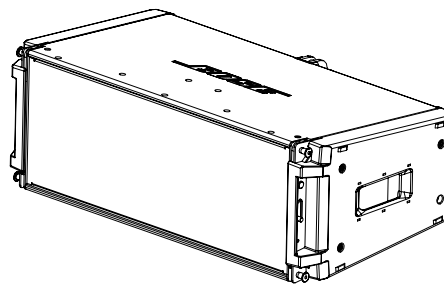
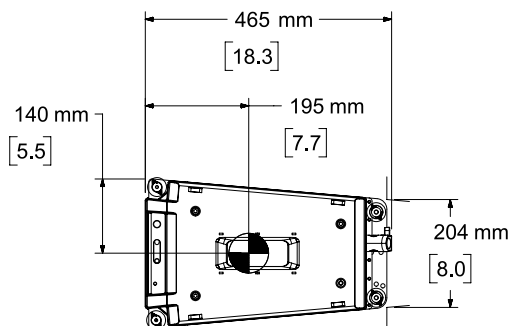


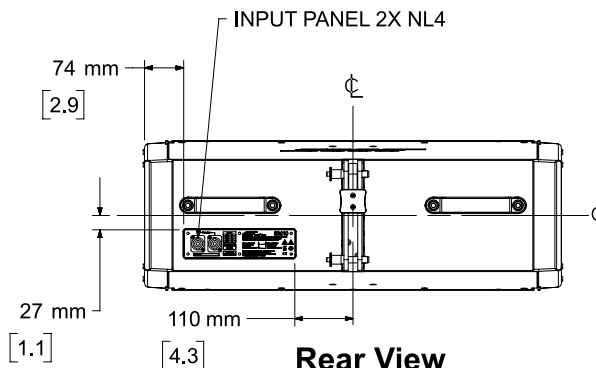
**Top View**



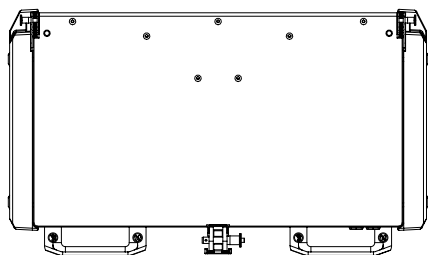
**Front View**  
GRILLE REMOVED FOR CLARITY



**Right View**  
DIMENSIONS APPLY TO BOTH SIDES



**Rear View**



**Bottom View**

**NOTES:**

1. SYMBOL INDICATES CENTER OF GRAVITY
2. WEIGHT APPROX. 29.7 kg [65.5lbs]
3. SYMBOL INDICATES QUICK PIN CONNECTION LOCATIONS
4. DIMENSIONS ARE IN MILLIMETERS OVER INCHES

	THIRD ANGLE PROJECTION	DESCRIPTION	
		<b>SHOWMATCH SM10</b>	
UNLESS OTHERWISE SPECIFIED INTERPRET THIS DRAWING PER ASME Y14.5M-1997	CAGE CODE	DOCUMENT NUMBER	VERSION
	DO NOT SCALE DRAWING	RF730999-MKTCADS-10	01.5
PROFESSIONAL		NOTICE 2023 BOSE PROFESSIONAL THIS DRAWING MAY NOT BE COPIED, REPRODUCED, OR USED AS THE BASIS FOR MANUFACTURE OR SALE OF APPARATUS WITHOUT THE PRIOR WRITTEN AUTHORIZATION OF BOSE PROFESSIONAL.	