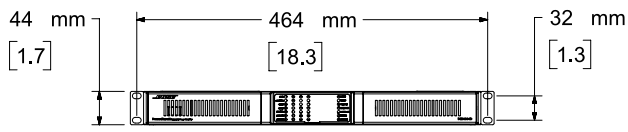
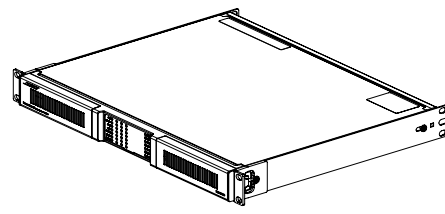
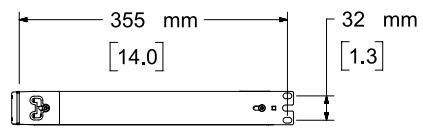


**Top View**



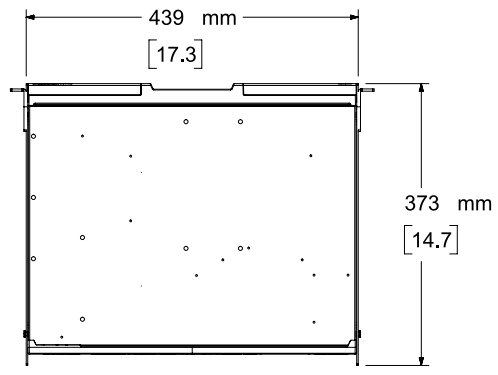
**Front View**



**Right View**  
DIMENSIONS APPLY TO BOTH SIDES



**Rear View**



**Bottom View**

NOTES:  
1. DIMENSIONS ARE IN MILLIMETERS OVER INCHES

	THIRD ANGLE PROJECTION		DESCRIPTION	
			<b>POWERSHAREX PSX4804D</b>	
	CAGE CODE	DOCUMENT NUMBER	VERSION	
		<b>RF881599-MKTCAD4804</b>		<b>00.2</b>
UNLESS OTHERWISE SPECIFIED INTERPRET THIS DRAWING PER ASME Y14.5M-1997		NOTICE		
<b>PROFESSIONAL</b>		2023 BOSE PROFESSIONAL THIS DRAWING MAY NOT BE COPIED, REPRODUCED, OR USED AS THE BASIS FOR MANUFACTURE OR SALE OF APPARATUS WITHOUT THE PRIOR WRITTEN AUTHORIZATION OF BOSE PROFESSIONAL.		
DO NOT SCALE DRAWING				