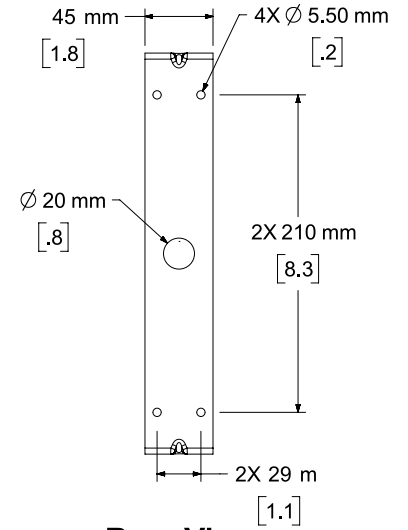
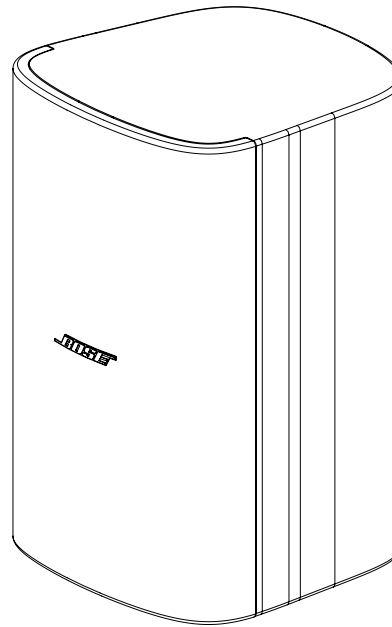
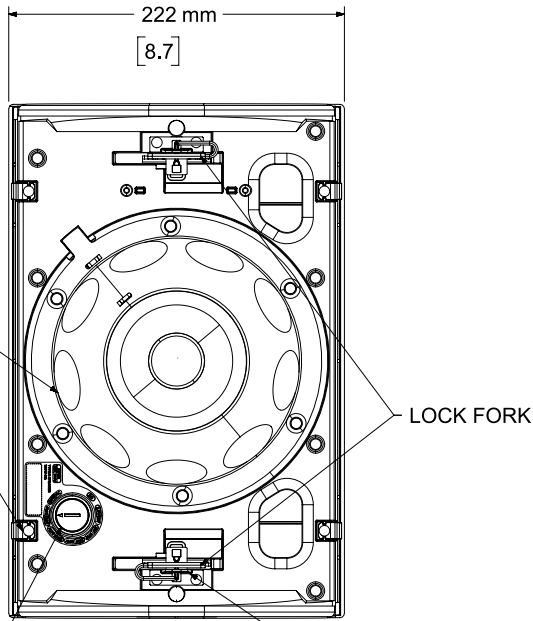


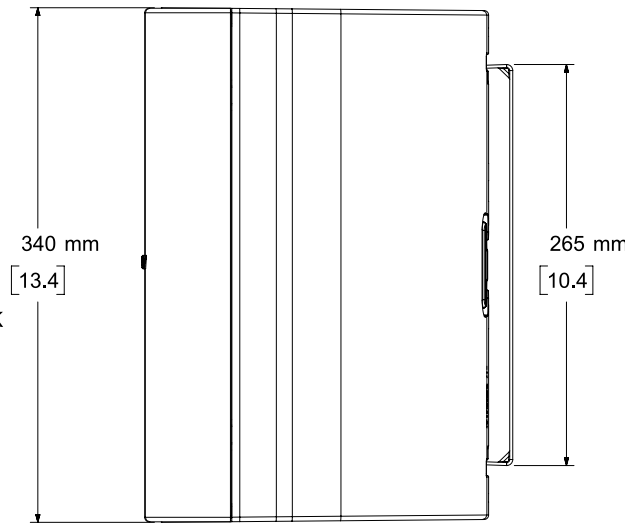
Top View



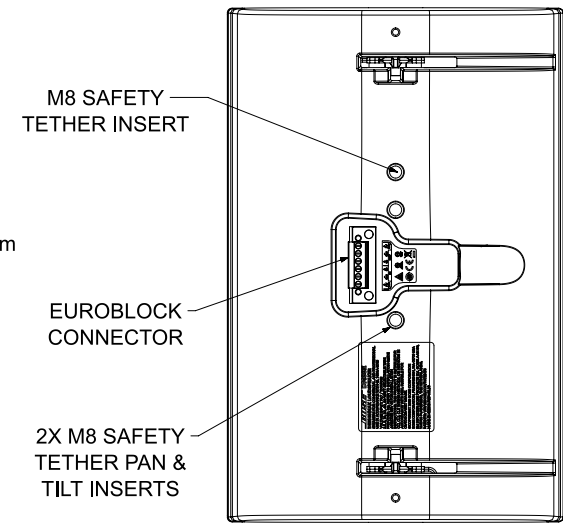
**Rear View
BRACKET ONLY**



**Front View
GRILLE REMOVED FOR CLARITY**



**Right View
DIMENSIONS APPLY TO BOTH SIDES**



**Rear View
BRACKET/INPUT COVER REMOVED FOR CLARITY**

- NOTES:
 1. DIMENSIONS ARE IN MILLIMETERS OVER INCHES
 2. WEIGHT APPROX 5.93kg [13.1lbs] (SPEAKER ONLY)
 WEIGHT W/BRACKET APPROX 6.40kg [14.1lbs]

	THIRD ANGLE PROJECTION	DESCRIPTION	
		DESIGNMAX DM6SE LOUDSPEAKER	
	<small>UNLESS OTHERWISE SPECIFIED INTERPRET THIS DRAWING PER ASME Y14.5M-1997</small>	CAGE CODE	DOCUMENT NUMBER
PROFESSIONAL	DO NOT SCALE DRAWING	RF828933-MKTCADS	00.16
<small>NOTICE 2023 BOSE PROFESSIONAL THIS DRAWING MAY NOT BE COPIED, REPRODUCED, OR USED AS THE BASIS FOR MANUFACTURE OR SALE OF APPARATUS WITHOUT THE PRIOR WRITTEN AUTHORIZATION OF BOSE PROFESSIONAL.</small>			