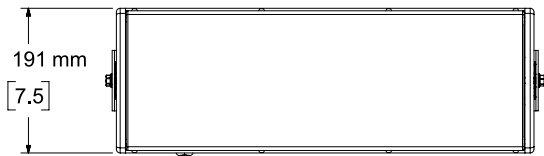
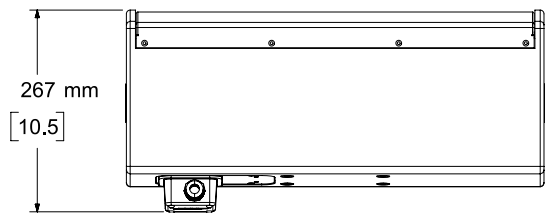


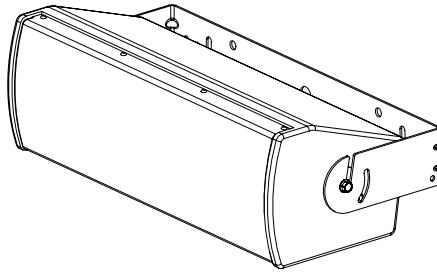
Top View



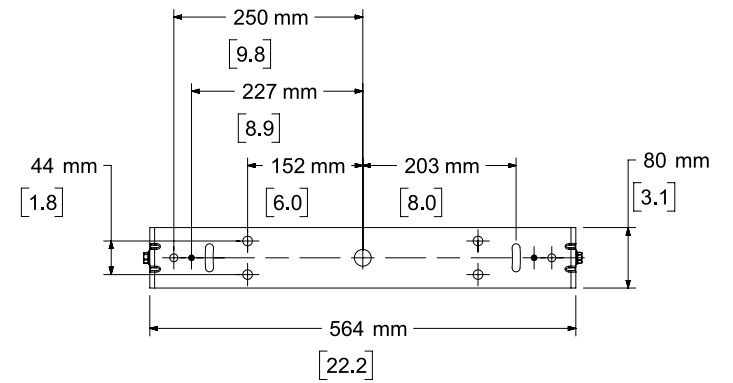
Front View



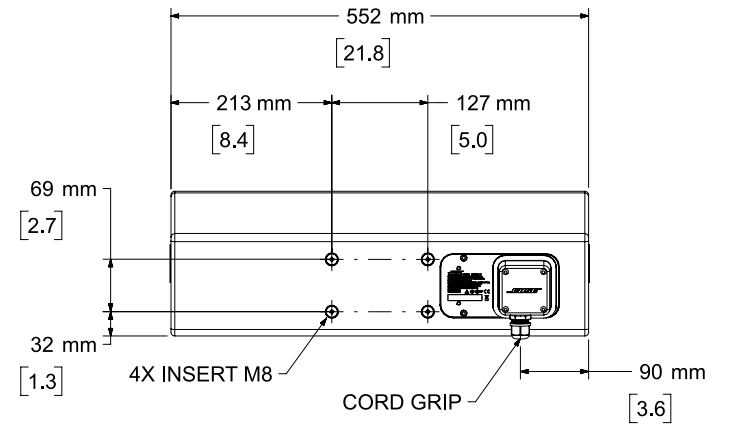
Bottom View
BRACKET REMOVED FOR CLARITY



Right View
DIMENSIONS APPLY TO BOTH SIDES



Rear View
BRACKET ONLY



Rear View
BRACKET REMOVED FOR CLARITY

- NOTES:
 1. DIMENSIONS ARE IN MILLIMETERS OVER INCHES
 2. WEIGHT APPROX 12.2kg [26.8lbs] (SPEAKER ONLY)
 WEIGHT W/BRACKET APPROX 13.8kg [30.5lbs]

	THIRD ANGLE PROJECTION	DESCRIPTION	
		ARENAMATCH UTILITY AMU206	
UNLESS OTHERWISE SPECIFIED INTERPRET THIS DRAWING PER ASME Y14.5M-1997 PROFESSIONAL	CAGE CODE	DOCUMENT NUMBER	VERSION
		RF811435-MKTCADS	00.11
	DO NOT SCALE DRAWING	NOTICE 2023 BOSE PROFESSIONAL THIS DRAWING MAY NOT BE COPIED, REPRODUCED, OR USED AS THE BASIS FOR MANUFACTURE OR SALE OF APPARATUS WITHOUT THE PRIOR WRITTEN AUTHORIZATION OF BOSE PROFESSIONAL.	